

Tying & Installing EverGlide® Safety Slide®

WARNING!

Arrow Safety ~ NEVER shoot an arrow without an AMS EverGlide® Safety Slide® System!

» Each AMS EverGlide® Safety Slide® is marked with our logo and patent number. US Pat. 6,517,453. - Beware of counterfeit products.

Arrow snapback can occur when bowfishing line is tied directly to the tail of an arrow. As the arrow is drawn back and shot, a trailing loop of line forms and has the potential to knot itself to the bowstring, cable or the arrow rest. This could cause the arrow to suddenly stop mid-flight and comeback toward the archer. AMS EverGlide® Safety Slides® are the solution to this hazard.

After you have installed the EverGlide® Safety Slide®, nock arrow with the slide in front of the rest and nock to your bowstring with shock pad up, tighten line to the Retriever and use the line retainer found on the side of the reel to control the line. As you draw back, the arrow will move through the slide. When you shoot, the EverGlide® Safety Slide® glides to the tail of the arrow and allows near perfect arrow flight by trailing the arrow dead on center. Recommended for arrow speeds of 145 fps or less.

Installing AMS EverGlide® Safety Slide®

1. Remove the EverGlide® Safety Slide® found on the reel.
2. Push the EverGlide® Safety Slide® over the nock if possible. If not, remove nock and install the slide onto the shaft with the rounded part toward the point.
3. The shock pad must be installed so it faces up and is in-line with the bowstring when nocked. It must not bump the arrow rest or bow upon release.
4. If an existing 1/8" hole is in-line with the bowstring and nock, use it. If no hole is present, use a drill press and drill a 1/8" hole at least 1" from the end of shaft and 1" from other holes.
5. Insert the square bushing into the underside of the shock pad following curvature of both parts.
6. Place shock pad assembly on the shaft with the oval holes toward the point.
7. Screw will self-thread into hole. Each installation and removal of screw will weaken threaded hole. For added strength, add a small amount of super glue to the screw threads. Do not over-tighten.

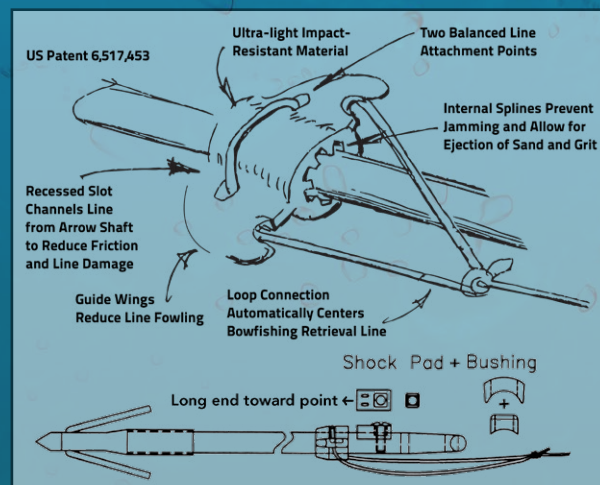
Tying Line to the Slide (Method 1)

1. Thread the bowfishing line from the reel through the EverGlide® Safety Slide® on the arrow following the groove in the slide. Pull about 5" of line through the slide and position the arrow vertically in front of you.
2. Holding both lines, make a loop in line and hold it above the point.
3. Now send the entire arrow, starting at the point, through the loop. A knot will form behind the arrow and hang 2 - 3" past it.
4. Snug up the knot and cut off excess line.

Tying Line to the Slide (Method 2)

- » Allows quicker arrow removal.
1. Create a 7" loop by folding the line over and tying an overhand knot.
 2. Pinch the tip of the loop and thread it through one of the holes on the EverGlide® Safety Slide® on the arrow, following the groove in the slide, and then back through the other hole.
 3. Pull the loop fully through the slide and pass the entire arrow through the loop. Do this by starting at the nock end and working the loop and slide up to the point.
 4. Pull the line tight and make sure it is fully secured to the slide and wraps 360 degrees around the slide. Line should NOT touch arrow.

Safety Slide Overview



Tying Line to Safety Slide®

